



**PREMIUM PARTNER IN
PACKAGING & HANDLING**

INFOSHEET

PALLETBIZ NETWORK INFORMATION, PRODUCTS AND SERVICES

*SUPPLIER OF INTERNATIONAL, CROSS-BORDER
PACKAGING SOLUTIONS TO THE INDUSTRY*

2016 / 17

Since the founding in 1998, PalletBiz has grown to be an international supplier of Pallets & Packaging products.

With roots as a family driven company, the aim today is still to provide the best Pallets & Packaging products to the industry, keeping the right set of corporate values and beliefs intact - where our customers are always the priority.

We hope that you appreciate this brochure, and that we might also become Your Premium Partner in Packaging & Handling in the near future.


Jens J. Gents
CEO & Chairman
PALLETBIZ 

PAGE	CONTENT
2	Foreword
3	Table Of Contents
4	Company Introduction and History
5	Pallets & Packaging Products
6	- Euro pallets
7	- PalletBiz pallets
8	- Pallet collars
9	- Used pallets
10	- Other standard pallets
11	- Special pallets & Packaging
12	Services & Consulting
13	- Pallet life-cycle services
14	- Supply-Chain Management Consulting
15	Contact information

INTRODUCTION

PalletBiz is a Packaging and Handling network comprising a growing number of franchise production units and distribution depots linked by global sourcing and sales operations.

From a modest beginning in 1998, PalletBiz has gradually expanded from Central and Eastern Europe, and recently to newly established units in Denmark, UAE and Saudi Arabia in 2013/14.

Our mission is to provide clients with quality packaging and handling materials as well as a

range of domestic and cross border services.

We realize this mission through the unique structure that makes up the PalletBiz network, and through meeting several international standards and certifications for processes and production.

The three parts of the star in the PalletBiz icon symbolizes Business, Environment, and Values, and are a set of beliefs that together ensure that Your relation with PalletBiz will remain valuable. We like to call it a long-termed promise to shared success within the area of Packaging & Handling.

“Today PalletBiz employs approx. 150 employees over the franchise network and boasts yearly revenues in excess of €17 mio.”



Our history

PalletBiz was founded in 1998 with the opening of production operations in Lithuania. Based on getting the technology and licenses from Denmark, and selling the products back to Denmark, we developed the business to a point where our first major client, IKEA, chose PalletBiz as a premium partner in packaging and handling.

Liking our approach, IKEA invited us in 2002 to expand operations to South East Europe to introduce quality to the region and cover increasing demands.

The expansion marked the launch of the PalletBiz franchising concept by opening the doors to the second pallet producing unit in Covasna, Romania.

In our continuous effort to strengthen our position as a cross-border supplier, PalletBiz has added significant production capacity and new offerings, including consulting and metal handling products in recent years.

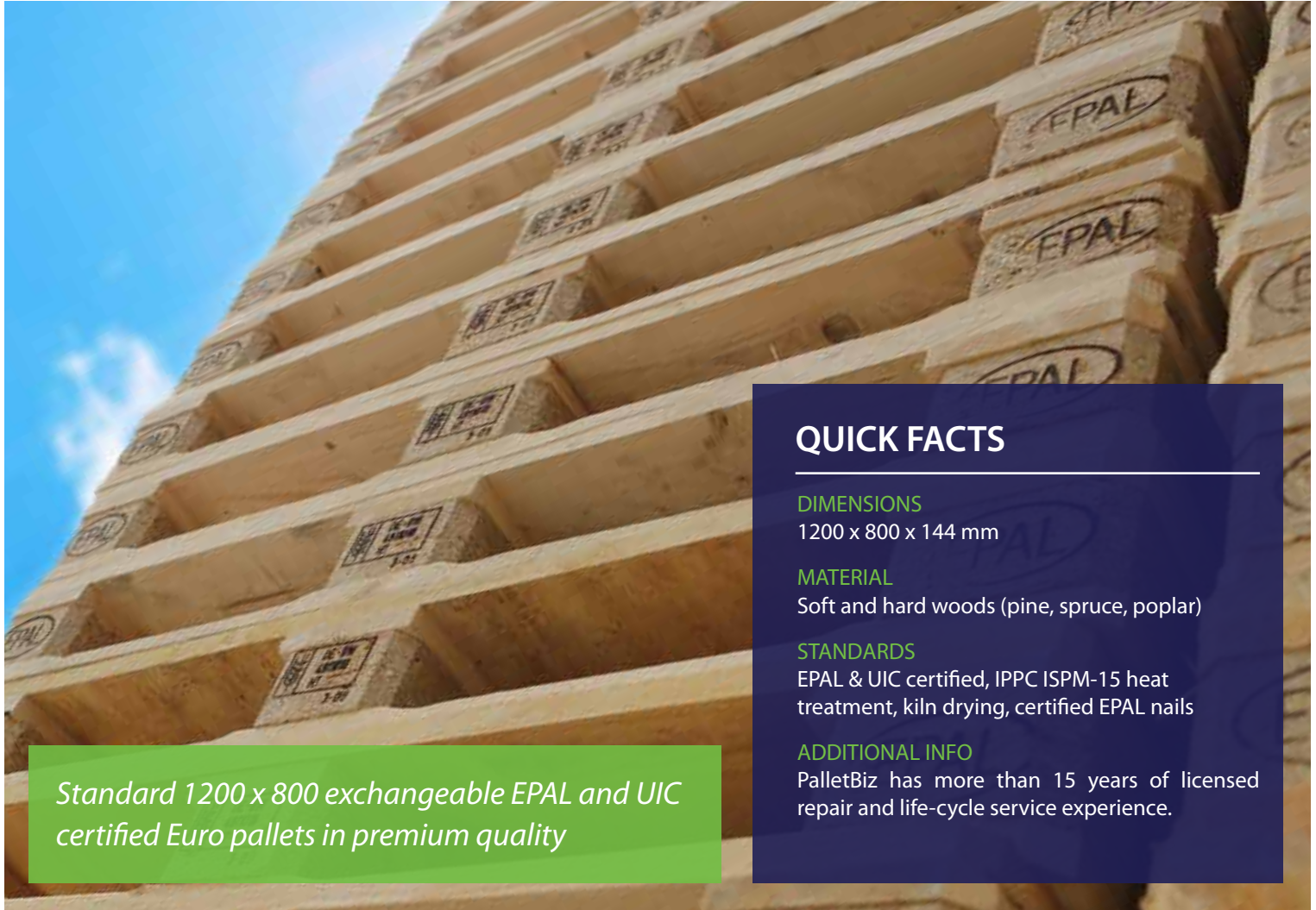
Today PalletBiz employs approx. 150 employees over the franchise network and boasts yearly revenues in excess of €17 mio.



Pallets & Packaging products

- Euro pallets
- PalletBiz pallets
- Pallet collars
- Used pallets
- Other standard pallets
- Special pallets & packaging

EURO PALLETS



Standard 1200 x 800 exchangeable EPAL and UIC certified Euro pallets in premium quality

QUICK FACTS

DIMENSIONS

1200 x 800 x 144 mm

MATERIAL

Soft and hard woods (pine, spruce, poplar)

STANDARDS

EPAL & UIC certified, IPPC ISPM-15 heat treatment, kiln drying, certified EPAL nails

ADDITIONAL INFO

PalletBiz has more than 15 years of licensed repair and life-cycle service experience.

PalletBiz Euro pallets conform to the UIC 435-2 standards and are treated in accordance with IPPC ISPM-15. This is why handling Your products with PalletBiz Euro pallets is not only an investment in high quality packaging materials; but an investment in the safety of Your products and goods.

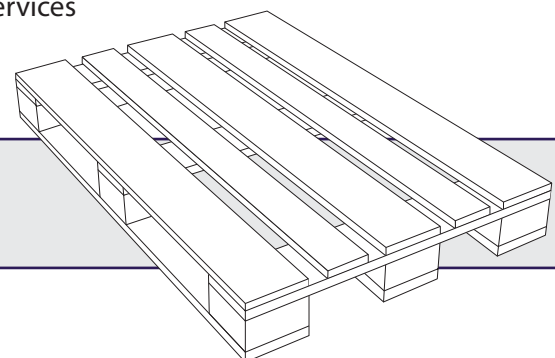
PalletBiz offers a range of premium services with Euro pallets, including: Pallet repair services, sorting of pallets at client locations or PalletBiz Depots, and pallet buy-back of used pallets leading to full life-cycle management (see more on page 13).

The Euro pallet is a 4-way entry pallet, making handling easy and efficient. The dimensions of a Euro pallet is optimal for export to and from Europe as well as for truck or rail transportation within Europe.

Euro pallets is a great chance for companies outside of Europe to leverage of the exchange possibilities when exporting to Europe as the pallet represents a re-sell value once entering the European market.

SERVICES AVAILABLE FOR PRODUCT

All life-cycle services



PALLETBIZ PALLETS



QUICK FACTS

DIMENSIONS

800 x 600, 1200 x 800 or 1200 x 1000 mm

MATERIAL

Soft and hard woods (e.g. pine, spruce, poplar)

STANDARDS

Standard outside dimensions (1200 x 1000 or 800 mm), but optimized on inside dimensions. certified nails is used for PalletBiz Pallets.

ADDITIONAL INFO

Unique in design and easily identified. Fully re-cyclable

The PalletBiz Pallet is our own pallet product, designed in co-operation with our clients to be an alternative to Euro pallets. The pallet is easily identified by the "PalletBiz" brand name as shown on the picture.

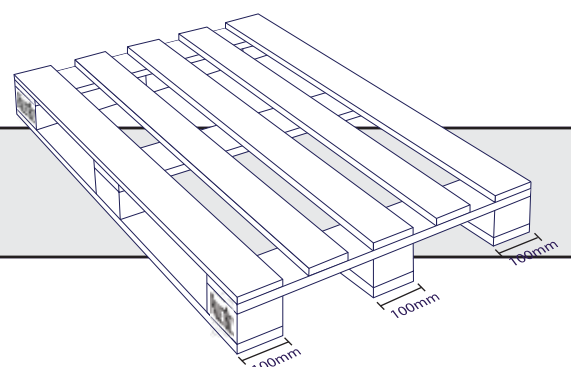
PalletBiz pallets are constructed with just the right combination of elements to achieve a lower cost than Euro pallets, without compromising on quality or strength. The same manufacturing technology as with Euro pallets is applied, and the pallets are Heat treated to IPPC

IPSM-15 standards, making it ideal for cross-border and export usage.

PalletBiz Pallets are fully recyclable and designed to last for min. 5-6 cycles, with a slightly lighter weight of the pallet leading to reduced transport and handling costs.

SERVICES AVAILABLE FOR PRODUCT

All life-cycle services



ISPM-15
HEAT TREATMENT
LICENSED



PALLET COLLARS



Pallet Collars are a flexible, strong and reliable solution for Your products and material flows

QUICK FACTS

COLLARS ARE PRODUCED FOR

Euro pallets (1200 x 800), Half-pallets (800 x 600) Ind. pallets (1200 x 1000) & Special pallets

MATERIAL

Soft woods and metal hinges

STANDARDS

IPPC ISPM-15 heat treatment, kiln drying

ADDITIONAL INFO

Available as one-board or two-board collars. Default with PalletBiz branding, optional with your own company logo - or no logo at all.

Pallet collars represent a highly practical tool for quickly creating a flexible box for storage of loose goods or parts. It stabilizes unsecured loads and optimizes space in your storage area and can with the right handling last up to 10 years.

Pallet collars or pallet frames as they are also called are easy to mount/dis-mount from your pallets and can be collapsed and conveniently stored in a smaller area when they are not in use.

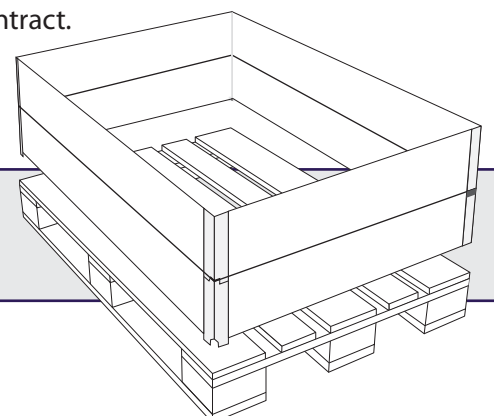
PalletBiz produces pallet collars for Euro pallets, half-pallets and Special pallets on request - all planed and heat treated in accordance with the ISPM-15 standard.

PalletBiz offer an additional range of products & services such as lids and dividers and of course logo printing.

Contact your local PalletBiz representative to inquire on how pallet collars can easily be adopted in your company and help to increase conditions and safety in your production area, in the warehouse or for your clients.

SERVICES AVAILABLE FOR PRODUCT

Service availability depends on quantity and location of the individual contract.



ISPM-15
HEAT TREATMENT
LICENSED

USED PALLETS



PalletBiz can offer used exchangeable pallets at competitive prices!

QUICK FACTS

DIMENSIONS

Any exchangeable pallet

MATERIAL

Soft and hard woods (e.g. pine, spruce, poplar)

STANDARDS

PalletBiz Network Exchange Pool or clients own exchange pool

ADDITIONAL INFO

Usually two different qualities are available; Light and Dark

PalletBiz offers collection, repair and buyback services of used pallets belonging to the PalletBiz exchange pool or to our clients own circulation of pallets.

To enable these services, PalletBiz has an extensive network for collecting and repairing used pallets to be re-introduced to our clients at competitive prices.

To match client's expectations of both quality and price, PalletBiz is able to provide two main categories of used pallets as per the below illustrations:

Used pallets constitute a less expensive alternative to new pallets, and can, with the correct handling, be cycled up to 5-6 times.

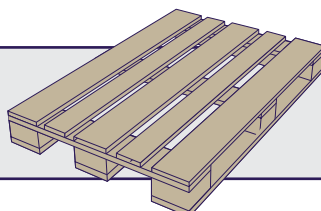
Contact us today and learn more about what possibilities and capacities are available in your region and get used to using used pallets.

SERVICES AVAILABLE FOR PRODUCT

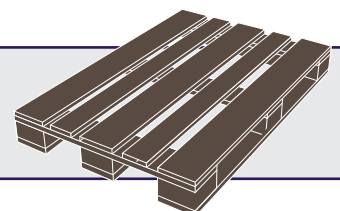
Collection, buy-back and repair services

Two types

Light (1st quality)



Dark (2nd quality)



OTHER STANDARD PALLETS



This pallet is used in many industries as it reduces product damage and increases load stability through its usual strong construction. It can likewise help to increase operational productivity as the pallet is suitable for automated production and warehousing facilities.

INDUSTRIAL PALLETS

DIMENSIONS

1200 x 1000 mm (or 1000 x 1200 mm)

MATERIAL

Soft and hard woods (e.g. pine, spruce, poplar)

STANDARDS

According to your own specification, IPPC ISPM-15 heat treatment, kiln drying, certified nails

ADDITIONAL INFO

4-way entry or 2-way if produced with stringers.

The 1200 x 1000 industrial pallet enhance efficiency during storage and transport. Whether its the standard 4-way or 2-way entry design it ensures compatibility with all standard equipment and can contribute to health and safety in the workplace.

ISPM-15
HEAT TREATMENT
LICENSED

SERVICES AVAILABLE FOR PRODUCT: All life-cycle services



While maintaining the strength of the Euro pallet and industrial pallet, the half-pallet offers several advantages. Due to its size, the pallet can be brought all the way to the shop floor, making it an ideal product to optimize in-store POP displays in the retail sector.

HALF PALLETS

DIMENSIONS

800 x 600 mm

MATERIAL

Soft and hard woods (e.g. pine, spruce, poplar)

STANDARDS

IPPC ISPM-15 heat treatment, kiln drying

ADDITIONAL INFO

In addition to half-pallets, PalletBiz offers Düsseldorf pallets according to the DIN 15146 norm.

Half-pallets from PalletBiz can furthermore help to achieve a better transport economy and accommodate some everyday challenges such as; easy handling through smaller door openings and to avoid case picking and re-palletizing.

ISPM-15
HEAT TREATMENT
LICENSED

SERVICES AVAILABLE FOR PRODUCT: All life-cycle services

SPECIAL PALLETS & PACKAGING



Special & one-way pallets from PalletBiz are produced uniquely to the client's needs from provided specifications or by consulting PalletBiz in terms of designing the exact type of pallet needed for your company.

SPECIAL & ONE-WAY PALLETS

DIMENSIONS

To client specifications

MATERIAL

Both soft and hard woods

STANDARDS

To client specifications

ADDITIONAL INFO

Special pallets are made in close collaboration with our clients and our engineering team to ensure the optimal pallet solution for you.

There is no limitations to size or construction of the pallet, so simply contact PalletBiz to discuss the right solution for your company, whether being special pallets or one-way pallets.

ISPM-15
HEAT TREATMENT
LICENSED

SERVICES AVAILABLE FOR PRODUCT: Custom branding, pool circulation



PalletBiz has a few standard size boxes and crates, but otherwise this is unique to client specifications. Special packaging & boxes is made with extra expertise and skilled manpower to ensure a top quality product, keeping your products safe during transport and handling.

SPECIAL PACKAGING & BOXES

DIMENSIONS

To client specifications

MATERIAL

To client specifications (includes plywood, OSB and other packaging materials)

STANDARDS

To client specifications

ADDITIONAL INFO

PalletBiz provides additional services such as: Machine mounting guidelines & Packing manuals

Whether the need is for a normal wooden box, a plywood box or a different type of crate (big or small), the construction is important as well as the materials being used. Contact PalletBiz and let us guide you to the most optimal way of packing your machines and products.

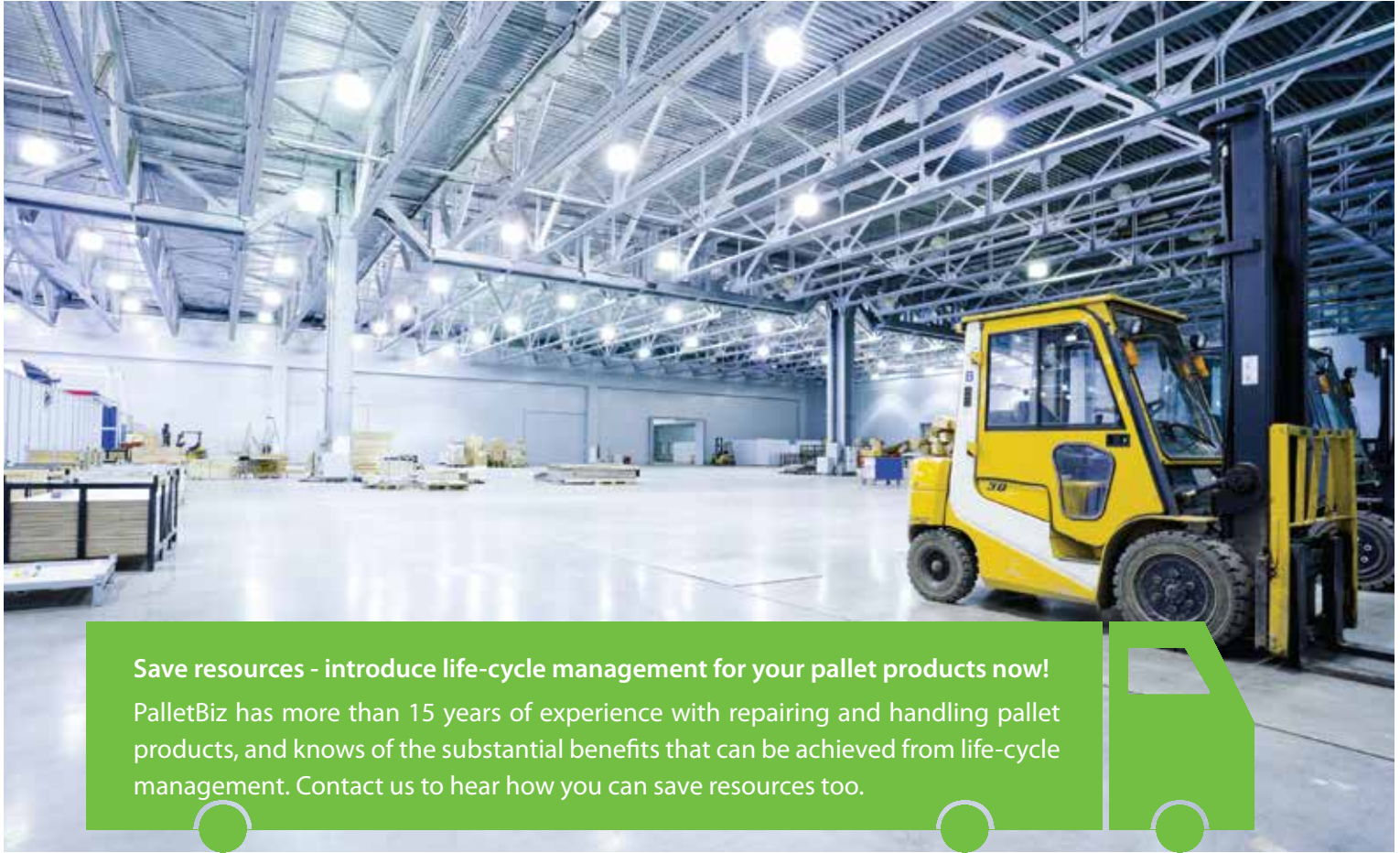
ISPM-15
HEAT TREATMENT
LICENSED

SERVICES AVAILABLE FOR PRODUCT: Individual service agreements

Services & Consulting

Pallet life-cycle services
Supply-Chain Management
Consulting

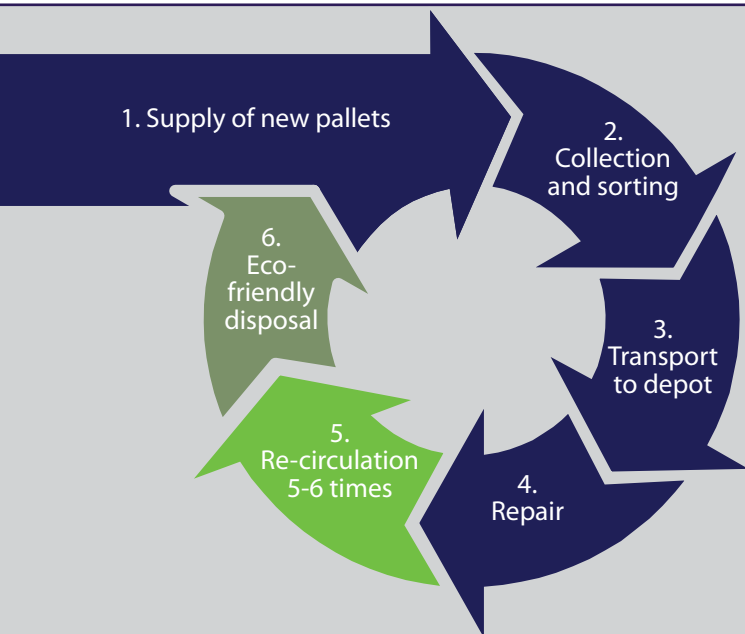
PALLET LIFE-CYCLE SERVICES



Save resources - introduce life-cycle management for your pallet products now!
PalletBiz has more than 15 years of experience with repairing and handling pallet products, and knows of the substantial benefits that can be achieved from life-cycle management. Contact us to hear how you can save resources too.

Many companies are not aware of the potential cost-savings involved in re-cycling pallets within a company, a group or throughout its supply chain. PalletBiz has more than 15 years experience in Life-Cycle Management of

pallets. Whether your company is currently using Euro pallets, PalletBiz pallets or your own special pallets, PalletBiz can set up the right logistics and lower your pallet unit cost significantly.



1. SUPPLY OF NEW PALLETS

PalletBiz supply new pallets to your factory site(s). The pallets will be loaded with your products and be delivered to your client location(s).

2. COLLECTION AND SORTING

PalletBiz trained labor will sort and collect the agreed number of pallets at your client warehouses.

3. TRANSPORT TO DEPOT

The pallets will then be transported to a PalletBiz Service Center or Depot.

4. REPAIR

The pallets will then undergo licensed repair and any broken or damaged elements on the pallets will be replaced.

5. RE-CIRCULATION 5-6 TIMES

The pallets will now be transported back to your factory site(s). This cycle can usually be repeated 5-6 times as a minimum.

6. ECO-FRIENDLY DISPOSAL

After many cycles, when it no longer makes sense to repair the pallets, PalletBiz will dispose the pallets in an eco-friendly way.

SUPPLY-CHAIN MANAGEMENT CONSULTING



Want to optimize your pallet and supply-chain handling, PalletBiz can help!

Our consulting practice has more than 20 years of experience, delivering supply chain management projects, including a specialization in optimizing pallet and handling spend for many clients. Contact us now to hear how we can help.

Clients of PalletBiz always benefit from day-to-day consultation and advice as part of our account management relationship.

In addition to this however, PalletBiz also offers focused consulting services to potential and existing clients, including optimizing pallet and handling spend in line with client CSR values and PalletBiz principles for “Green Growth”.

Key objectives differ depending on the specific client case but it usually includes proposals for re-design or replacement of certain pallets and packaging products and identification of potential savings across the supply chain.

Achieving an optimal price on pallets, packaging and logistics is an obvious priority of our clients, and PalletBiz are ready to help our new and existing clients in current and new markets.

**TYPICAL
CONSULTING
ENGAGEMENTS:**

Fleet Analysis
& Portfolio
Optimization

Supply Chain Process
& Life-Cycle
Management Optimization

CONTACT INFORMATION

Global Sourcing & Sales office

PalletBiz Global Sourcing & Sales (GSS)

Address	Vesterbrogade 74, 3rd Floor 1620 Copenhagen, Denmark
Office	+45 71 99 10 54
Email	info@palletbiz.com
Web	www.palletbiz.com

PalletBiz Regional contacts

North Europe

PalletBiz Denmark

Address	Aalunden 2 DK-6690 Gørding, Denmark
Office	+45 75 12 78 12
Email	sales@dk.palletbiz.com
Web	www.palletbiz.dk

South East Europe

PalletBiz Romania

Address	Principală 21A, Tamasfalau 527193 Covasna, Romania
Office	+40 267 343 666
Email	sales@ro.palletbiz.com
Web	www.palletbiz.ro

Central North Europe

PalletBiz Poland

Address	Pulaskiego 41 62-800 Kalisz, Poland
Office	+48 511 448 649
Email	sales@pl.palletbiz.com
Web	www.palletbiz.pl

United Arab Emirates

PalletBiz UAE

Address	E LOB Office no. E-60F-15, HFZ P.O. 53131 Sharjah, UAE
Office	+971 50 974 7551
Email	sales@ae.palletbiz.com
Web	www.palletbiz.ae

Central South Europe

PalletBiz Hungary (Franchising office)

Address	Berkenye Sétány 5, GF 1201 Budapest, Hungary
Office	+45 71 99 10 54
Email	info@palletbiz.com
Web	www.palletbiz.com

Saudi Arabia

PalletBiz Saudi Arabia

Address	2nd Industrial City, P.O. 3334, 31471 Dammam, Saudi Arabia
Office	+966 138 444 161
Email	sales@sa.palletbiz.com
Web	www.palletbiz.com.sa



ISPM-15
HEAT TREATMENT
LICENSED

ISO 14001
CERTIFIED

ISO 9001
CERTIFIED



– WE LOOK FORWARD TO HEARING FROM YOU

YOUR LOCAL PARTNER